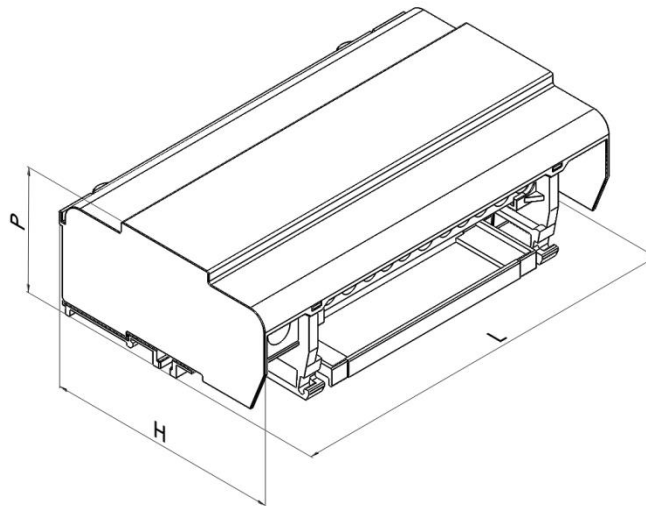


Product Datasheet

RPQ1016



Main

Family	Distribution Blocks
Version	4 Pole 160 A
Code	RPQ1016
Reference	RPQ 160-11-U&D
Number per package	1
L (mm)	176
H (mm)	105
P (mm)	55
Fix. Hole space (mm)	163

Disclaimer: This documentation is not intended as a substitute for and is not to be used for determining suitability or reliability of these products for specific user applications

Technical Data

Type	4 Pole 11 outputs				
In: 160 A	Stripped wire (mm ²)	Wire with ferrule (mm ²)	No.	Dim. (mm)	Torque (Nm)
IN →	10 ÷ 50	10 ÷ 50	1	Ø 11.5	8 - 10
← OUT	10 ÷ 35	10 ÷ 16	3	Ø 8.5	2 - 3
← OUT	2.5 ÷ 16	1.5 ÷ 16	8	Ø 7	2 - 3
I _{cw} (kA)	9				
I _{pk} (kA)	22				
U _i (V)	1000				

I_{cc pk} = Short-circuit current peak value expressed in kA

I_{cw} = Effective value of short-circuit current, duration equal to 1 second, expressed in kA as per standard IEC 947-7-1

U_i = Nominal Insulation voltage

Technical Features

Brass conductors

Galvanized steel screws included

Insulation between phases

Front removable protection screen

Self-extinguishing insulating structure: UL94-V0

Quick hook-up on DIN rails

Compliant with standards IEC 947-7-1

Advantages

Separate inputs

Forged conductors

Modular depth

Up & Down: connection of 2 phases on each side

